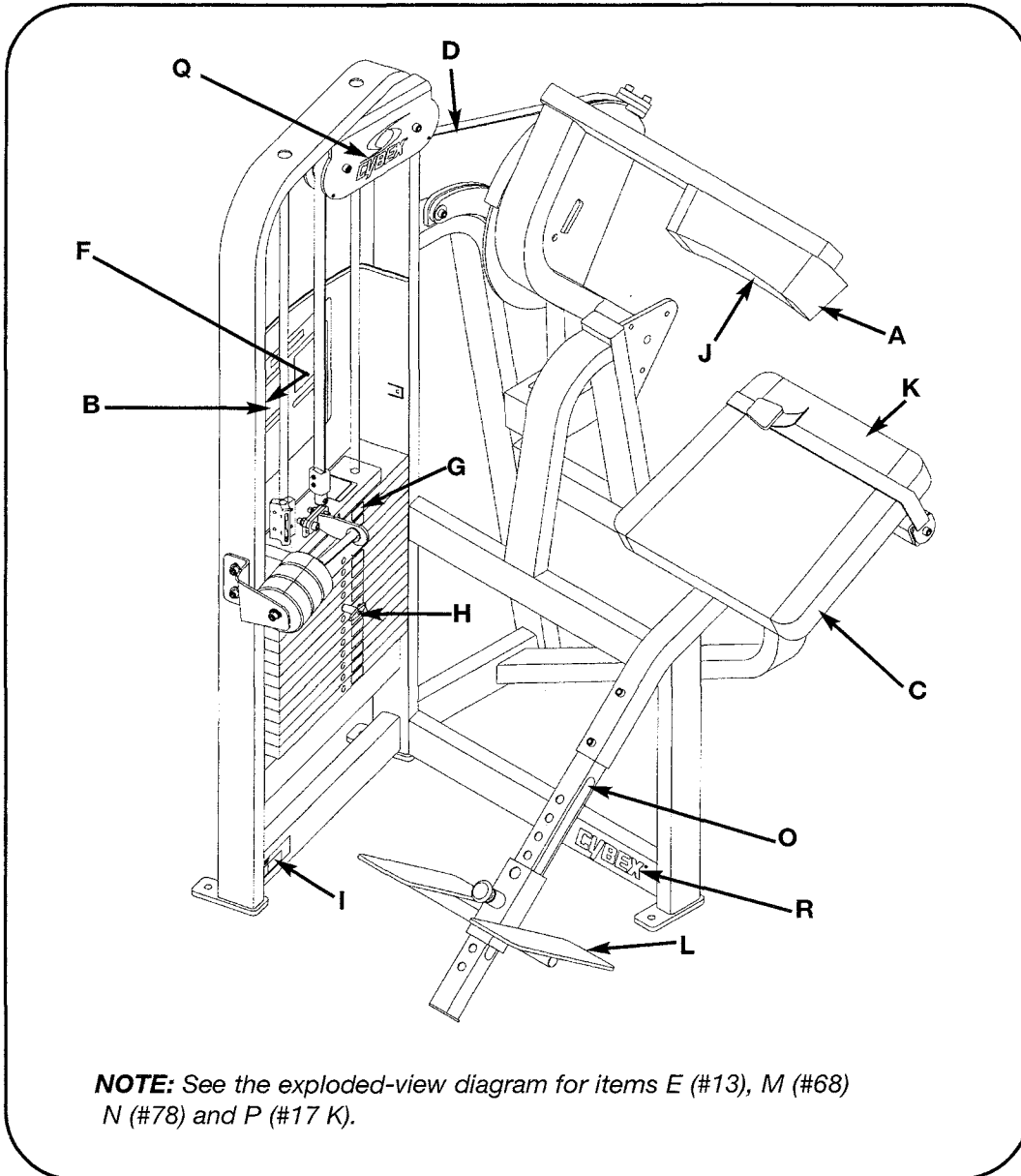


BACK EXTENSION

PRODUCT NO. 4711, 4712, 4713

PARTS LIST



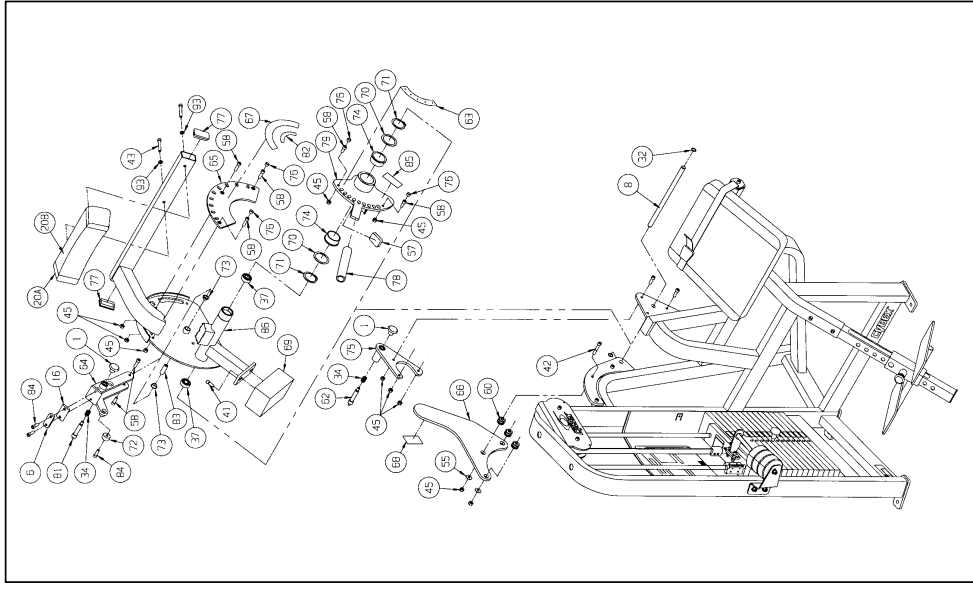
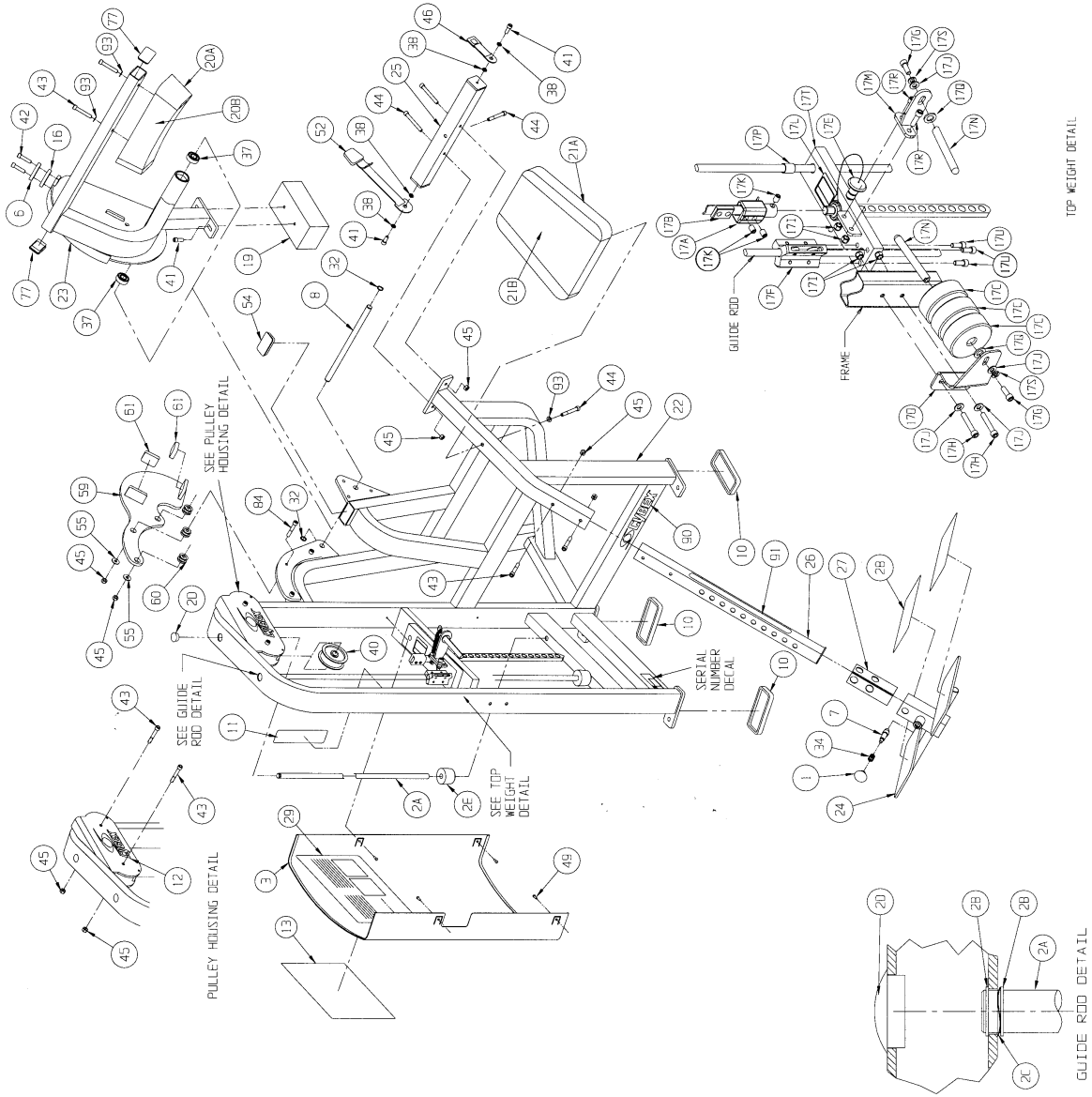
DESCRIPTION	PART NO.	DESCRIPTION	PART NO.
A. Back Cushion.....	4800-014	K. Wear Cover (Item C).....	4207S072-0
B. Placard Decal	4710-322	L. Non-Slip	4710-321
C. Seat Cushion.....	4800-015	M. Caution Decal.....	8500-026
D. Belt 70" long.....	GB000202	N. Grip	4605-515
E. Cybex Decal Blk/Plm	3900-391	O. Adjusting Decal	4890-315
E. Cybex Decal Wht/Wht...	3900-419	P. Caution Decal.....	4605-424
F. Warning Decal	4605-381	Q. Cybex Decal Blk/Plm	3900-423
G. Weight Plate Decal	4605-388	Q. Cybex Decal Wht/Wht ..	3900-424
H. Weight Selector Pin.....	BH030207	R. Cybex Decal Blk/Plm	3900-390
I. Serial Number Decal		R. Cybex Decal Wht/Wht...	3900-415
J. Wear Cover (Item A)	4800-094		

4711, 4712, 4713 - Back Extension

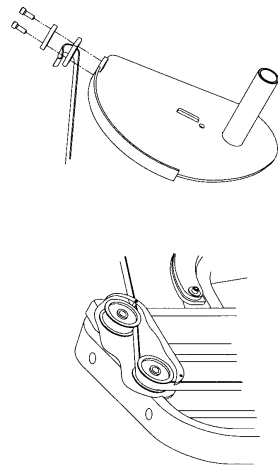
ITEM	QTY	PART NO.	DESCRIPTION
1	3	11040-440	Cybox Knob
2	1	4701-021	Weight Stack Guide Rod Set
2 A	2	4505-319	Weight Stack Guide Rod
2 B	4	BR030214	Retaining Ring .625
2 C	2	HS407100	Spring Washer .65 x .79 x .062 T
2 D	2	PN660200	Plastic Insert 1.00 Dia x 11 G
2 E	2	PR060005	Weight Bumper
3	1	4505-432	Guard
4			Not Used
5			Removed
6	1	4605-300	Belt Clamp
7	1	4605-322	Detent Pin
8	1	4605-334	Pivot Shaft 13.06
9	1	4605-348	Belt Clamp Insert
10	4	PR070003	Foot Pad 2.00 X 5.25
11	1	4605-381	Warning Decal
12	1	3900-423	Cybox Decal 4.85 Vert. Blk/Plm
12	1	3900-424	Cybox Decal 4.85 Vert. Wht/Wht
12			Removed 3/03
13			Removed 3/03
13	1	3900-391	Cybox Decal 11.37 Vert. Blk/Plm
13	1	3900-419	Cybox Decal 11.37 Vert. Wht/Wht
14	1	4605-388	Weight Plate Decal 10-290
15			Not Used
16	1	4605-394	Belt Clamp
17	1	4701-030	Sliding Increment Weight Set
17 A	1	11040-216	Belt Clamp
17 B	1	11040-301	Belt Clamp Insert
17 C	3	4605-390	Increment Weight
17 D			Removed 3/03
17 E	1	EH030207	Weight Selector Pin
17 F	1	4701-001	Top Weight Guide
17 G	2	HC702817	SHCS .375-16 x 1.00
17 H	2	HC702828	SHCS .375-16 x 2.25
17 I	4	HN704901	Nylon Locknut .375-16
17 J	4	HS347600	Washer, SAE .375
17 K	3	HY740000	Set Screw
17 L	1	4605-424	Caution Decal
17 M	1	4700-240	Weight Mount
17 N	2	4700-318	Increment Weight Rod
17 O	1	4700-319	Frame Mount Increment Weight
17 P	1	FB130208	Bearing Sleeve .68 x .81 1.00 L
17 Q	2	4700-321	Rubber Washer
17 R	2	JC702820	SHCS .375-16 x 1.25
17 S	2	HS348300	Split Lockwasher .375
17 T	1	4700-239	Top Weight
17 U	3	HC702816	SHCS .375-16 x .875
18			Removed
19	1	4713-323	Counterweight
20 A	1	4800-014	Back Cushion w/Wear Cover
20 B	1	4800-094	Wear Cover
21 A	1	4800-015	Seat Cushion w/Wear Cover
21 B	1	4207S072-0	Wear Cover
22	1	4711-200	Frame
23	1	4711-210	Cam
24	1	4710-205	Footrest
25	1	4710-203	Cushion Support
26	1	4710-206	Adjusting Tube
27	4	4710-320	Slide Plate
28	2	4710-321	Non-Slip
29	1	4710-322	Placard Decal
30			Not Used
31			Not Used
32	1	BR30210	Retaining Ring 17 mm

ITEM	QTY	PART NO.	DESCRIPTION
33			Not Used
34	3	BS070201	Com Spring .56 X .66 X 1.50 I
35			Not Used
36			Removed
37	2	FB030232	Radial Brg 17 mm ID (Ext Race)
38	4	FB130209	Flange Brg .375 x .50 x .125
39	70"	GB000202	Belt .95" Wide
40	2	GP000209	Pulley Assembly 3.50
41	4	HC702817	SHCS .375-16 x 1.00
42	3	HC702822	SHCS .375-16 x 1.50
43	6	HC702830	SHCS .375-16 x 2.50
44	4	HC702834	SHCS .375-16 x 3.00
45	12	HN704901	Nylon Locknut .375-16
46	1	UB050204	Seat Belt-Connector Half 7"
47			Not Used
48			Not Used
49	4	HT102214	Tap Screw #10-12 x .625 A (Phil)
50			Not Used
51			Removed 8/98
52	1	UB050202	Seat Belt - Buckle Half
53			Not Used
54	1	PP090202	Plastic Insert 1.50 x 3.00 x 11 G
55	3	HS347700	Washer .375 USS
56			Removed
57	1	PU060203	Bumper
58	7	HC702816	SHCS .375-16x .875
59	1	4711-211	Bar Stop
60	3	PR740300	Center Bonded Mount
61	2	PU060201	Bumper
62	1	4713-318	Detent Pin
63	1	4713-314	Cam Stop Decal
64	1	4713-205	Cam Arm
65	1	4713-303	Cam Plate
66	1	4713-312	Bar Stop
67	1	4713-313	Start Cam Decal
68	1	8500-026	Caution Decal
69	1	4713-323	Counterweight
70	2	4715-336	Washer
71	2	BR030213	Retaining Ring 2.00 (Ext)
72	1	FB030239	Cam Follower
73	2	FB130205	Flange Brg .63 x .75 x .38 L
74	2	FB130206	Flange Brg 2.00 x 2.25 x 1.00 L
75	1	4713-204	Detent Plate
76	4	PP080222	Vinyl End Cap
77	2	PP090001	Plastic Insert 1.50 x 2.50
78	1	4506-515	Grip 3.25" Long
79	1	4713-203	Start Stop
80			Removed
81	1	4505-329	Detent Pin
82	1	4612-596	Start RLD Decal
83	1	4613-302	Short Pivot Pin
84	3	JC702820	SHCS .375-16 x 1.25
85	1	4713-594	Total RLD Decal
86	1	4713-201	Cam
87			Not Used
88	1	4701-302	VR2 Weight Stack Instr. (not shown)
89	1	51198	Strength Warranty Sheet (not shown)
90			Removed 3/03
90	1	3900-390	Cybox Decal 1.57 Hori. Blk/Plm
90	1	3900-415	Cybox Decal 1.57 Hori. Wht/Wht
91	1	4890-315	Adjusting Decal
92	14	4000C101	Stack Weight 4 x 18 (not shown)
93	4	JS347400	Internal Tooth Lockwasher

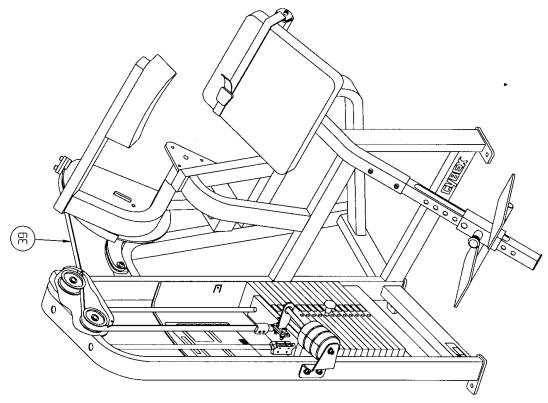
BACK EXTENSION - 4711, 4712, 4713



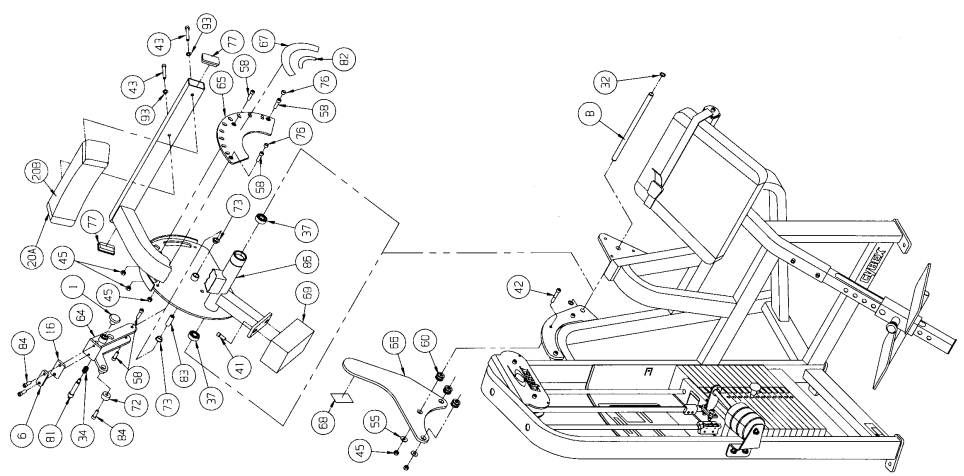
4713 - Back Extension Total RLD



BELT ROUTING DETAIL



BELT ROUTING DETAIL



4712 - Back Extension Start RLD